



WWW.BARRYIND.COM

RYC2010CT-XXXX*JN-83



BeO FREE

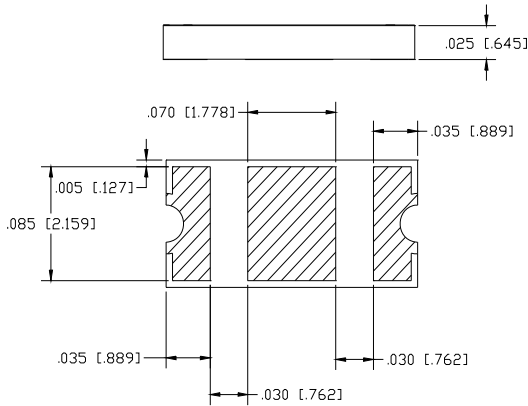
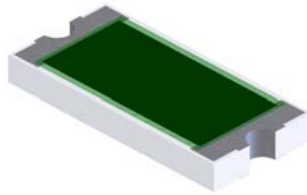
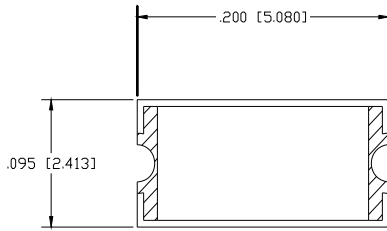
SURFACE MOUNT RESISTOR

Features:

- ◆ BeO Free Material
- ◆ 10 Watt Input Power
- ◆ Surface Mountable

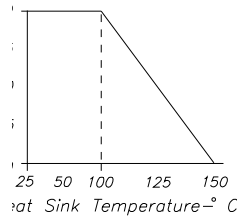
General Description:

The RYC2010CT-XXXX*JN-83 is a standard (.5 - 1Mohm available) surface mountable chip resistor. It has an input power rating of 10 watts, while maintaining a heat sink temperature of 100°C.



Dimensions in inches [mm]
Tolerance $\pm .005$ [.127]
unless otherwise stated

RATING CURVE:



* XXXX = Resistance Value in Ohms

Ohms

- 0.5...R500
- 11R00
- 10.....10R0
- 50.....50R0
- 100...1000
- 150...1500
- 1K.....1001
- 10K...1002
- 100K.1003
- 470K.4703
- 1M...1004

Sample part number:
RYC2010CT-50R0JN-83

Parameter	Min.	Typ.	Max.	Units
Input Power			10	Watts
Resistance		+/- 5%		Ohms
Mounting Surface Temperature			100	°C

Barry Industries reserves the right to change part number and or process without notification.

Barry Industries, Inc., 60 Walton St., Attleboro, MA 02703 T: 508-226-3350 F: 508-226-3317 E-mail: ABSales@Vishay.com

Barry Industries maintains an ISO 9001 Certified Quality Management System

Origination Date	Revision Date	Rev.
9/25/07	08/11/09	A